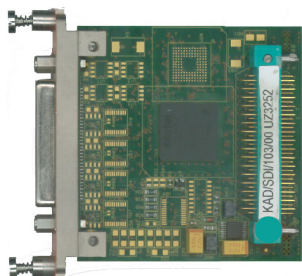




**ACRA**  
CONTROL

# KAD/SDI/103

Serial data bus parser



## DESCRIPTION

The KAD/SDI/103 is used to read data serially from external devices and store the data in a coherent frame buffer.

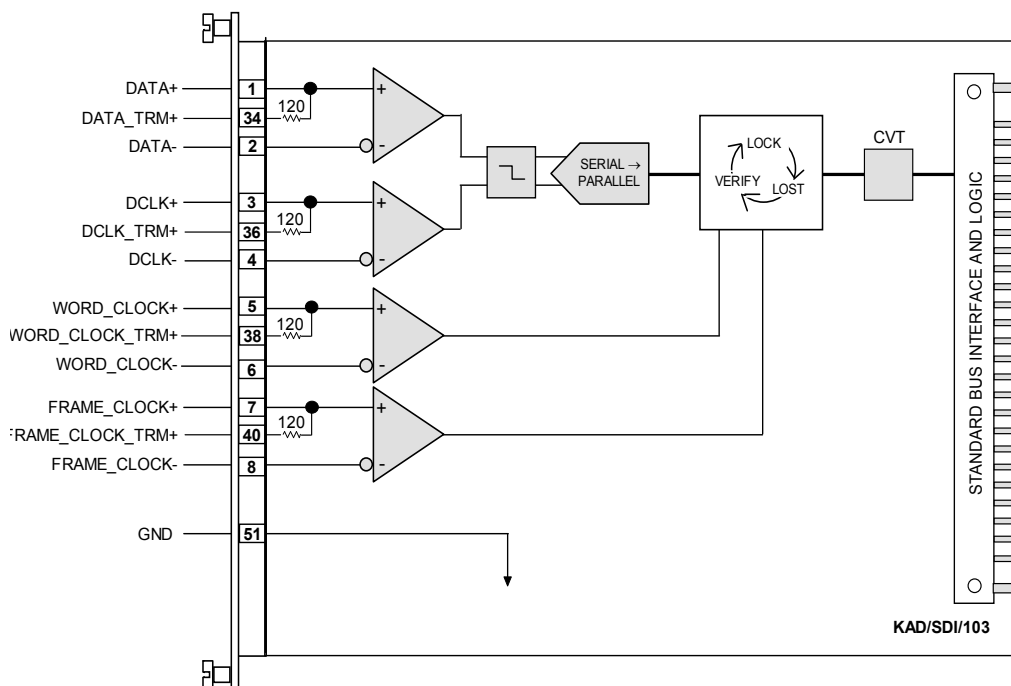
Synchronization is done via a Data clock, a Word clock and a Frame clock.

## FEATURES

- Frame data is time-tagged using standard 3 x 16 timer to 1 $\mu$ s resolution
- Decommutates one serial stream in RS-422 format
- Accepts NRZ-L, Bit clock, Word clock and Frame clock
- 100kbps, 200kbps, 300kbps, 500kbps, 800kbps, 1Mbps baud rates supported
- Supports 4, 8, 16, 32, 64, 128, 256, 512, 1024, 2048, 4096 words per frame
- Programmable word length (12 or 16-bit)
- No supercommutation
- All inputs have option for termination
- NRZ-L and Bit clock can be triggered on rising or falling edge

## APPLICATIONS

- Data acquisition systems
- General purpose serial data read from external devices



KAD/SDI/103 block diagram

## Selection guide and ordering information

### Selection Paths

Airborne Data Acquisition → KAM-500 → Modules → Bus → RS-232/422/485

Part Number	Description
KAD/SDI/103	Serial data bus parser

By default, the standard mating connector, CON/KAD/002/CP, is included with each module in the shipment. Its part number will be added to the Confirmation of Order unless an alternative option is specified (see the Cables data sheet).

### Revision History

Revision	Differences	Status
KAD/SDI/103	First release	Recommended for new programs

### Related Products

Module	Details
KSM-500	This module is supported by the KSM-500 suite of software tools

### Related Documentation

Document	Details
DOC/DBK/001	KAM-500 Databook
DOC/MAN/018	KSM-500 Databook
DOC/HBK/002	Environmental Qualification Handbook