



ACRA KAM-500

C O N T R O L

ACD/BAC/002

Electroless nickel-plated aluminum straight-through backshell for KAD connectors



DESCRIPTION

The ACD/BAC/002 is an electroless nickel-plated, aluminum backshell for use with KAD module double-density mating connectors.

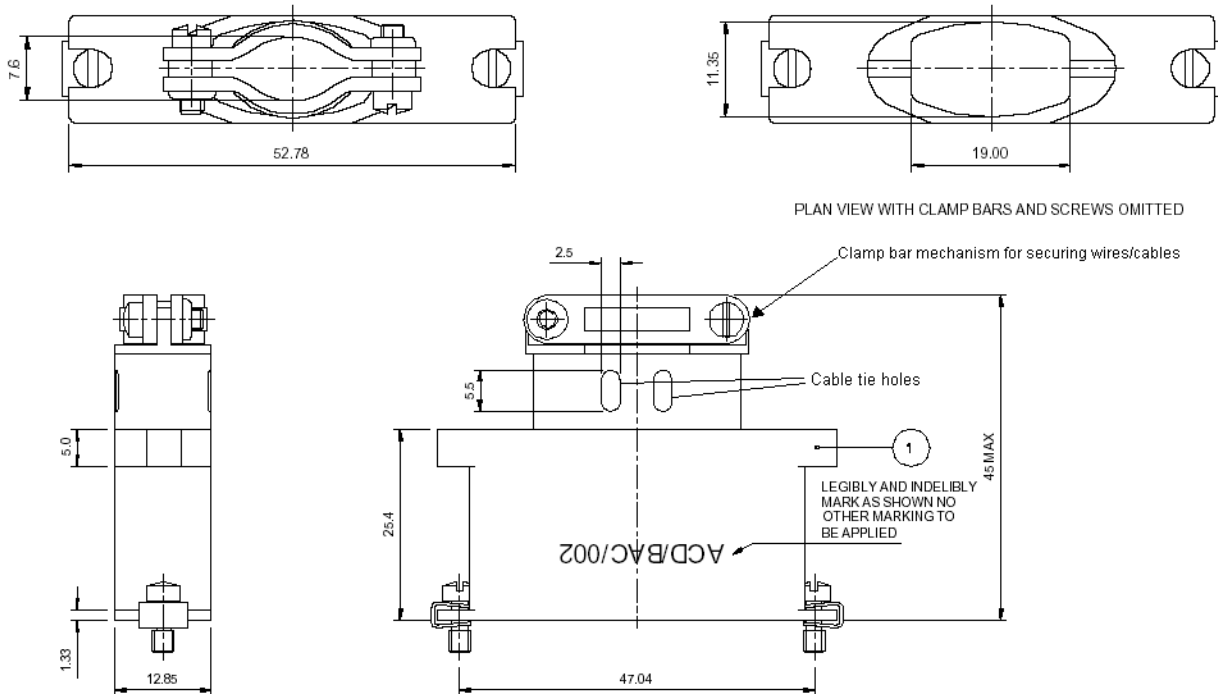
The part is supplied with two pre-assembled, 4-40 UNC, stainless steel mating screws (ACD/SCW/004) each held in place by a stainless steel retaining clip (ACD/CLP/003).

FEATURES

- For use with KAD (double-density) mating connectors

APPLICATIONS

- Use with cables and mating connectors



ACD/BAC/002 mechanical drawing

Selection guide and ordering information

Selection Paths

Airborne Data Acquisition → KAM-500 → Accessories

Ordering Information

Part Number	Description
ACD/BAC/002	Electroless nickel-plated aluminum straight-through backshell for use with KAD connectors

Revision History

Revision	Differences	Status
ACD/BAC/002	First release	Recommended for new programs

Related Products

Module	Details
Offset 4mm screw-driver	ACRA CONTROL recommends using an offset 4mm screwdriver, P/N: 20740 from WIHA with the ACD/BAC/002. Contact ACRA CONTROL for details.
ACD/BAC/003	Electroless nickel-plated aluminum 30° double density backshell for use with KAD connectors

Related Documentation

Document	Details
DOC/MAN/018	KSM-500 Databook
DOC/HBK/002	Environmental Qualification Handbook
DOC/DBK/001	KAM-500 Databook